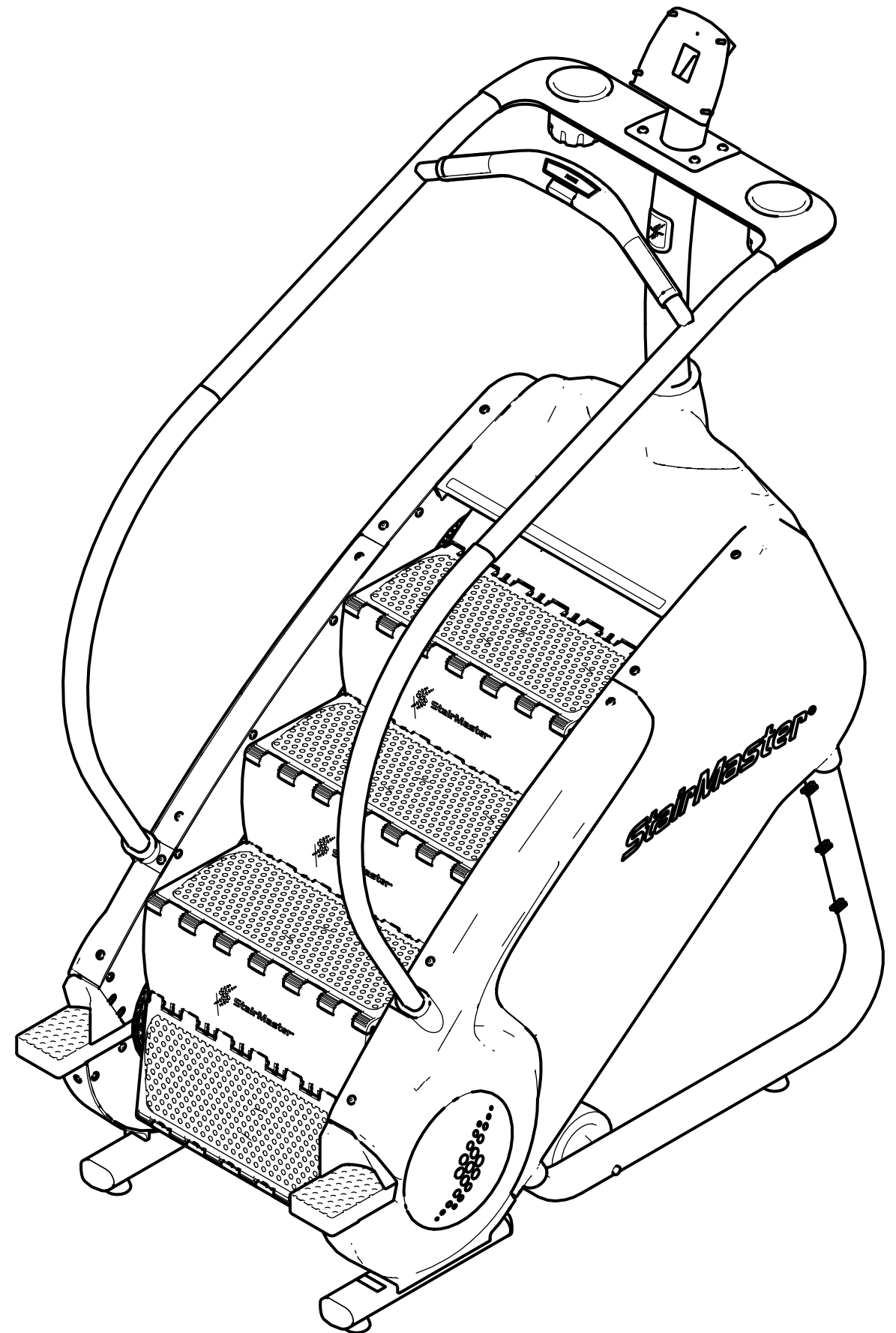
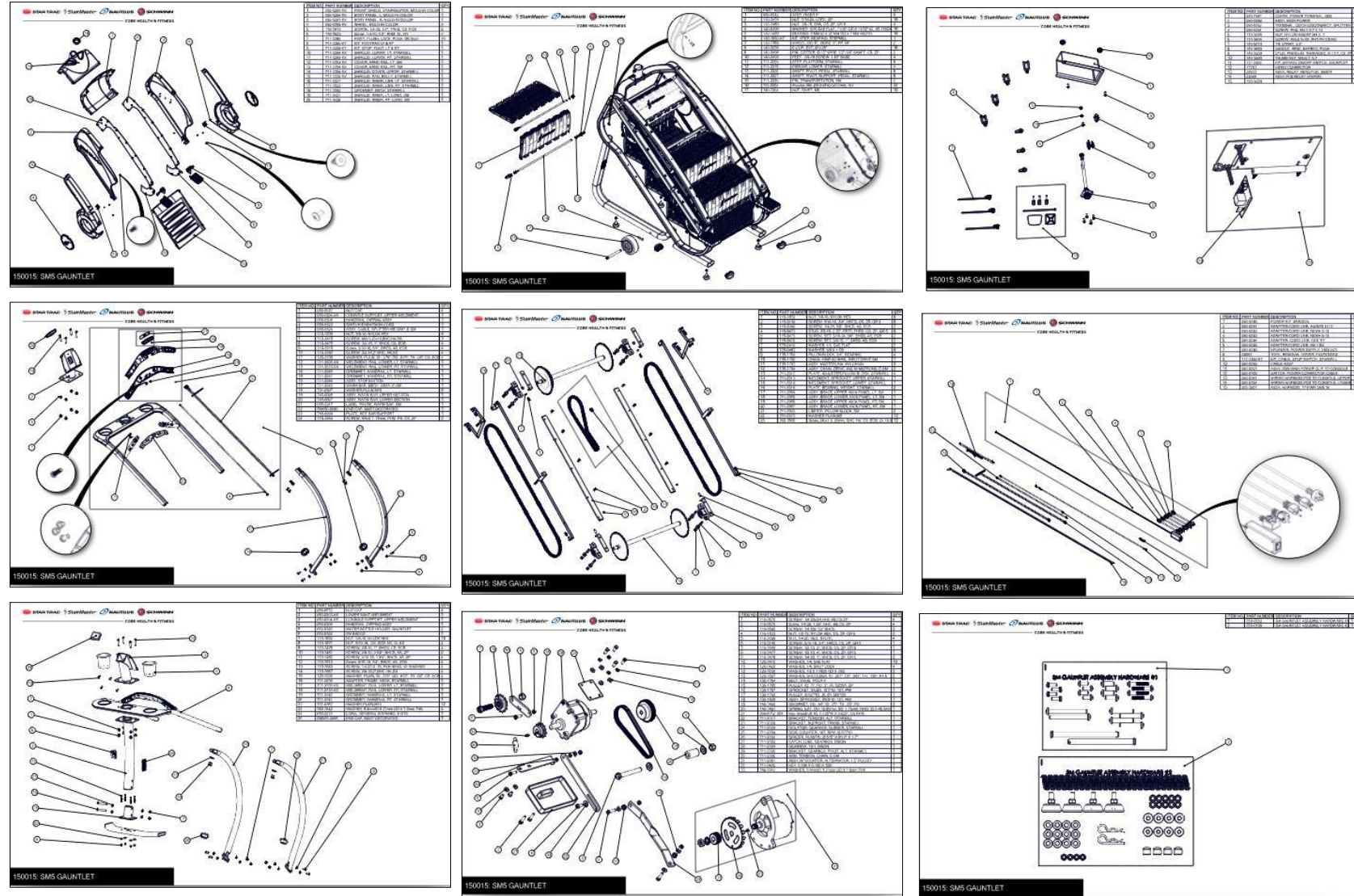
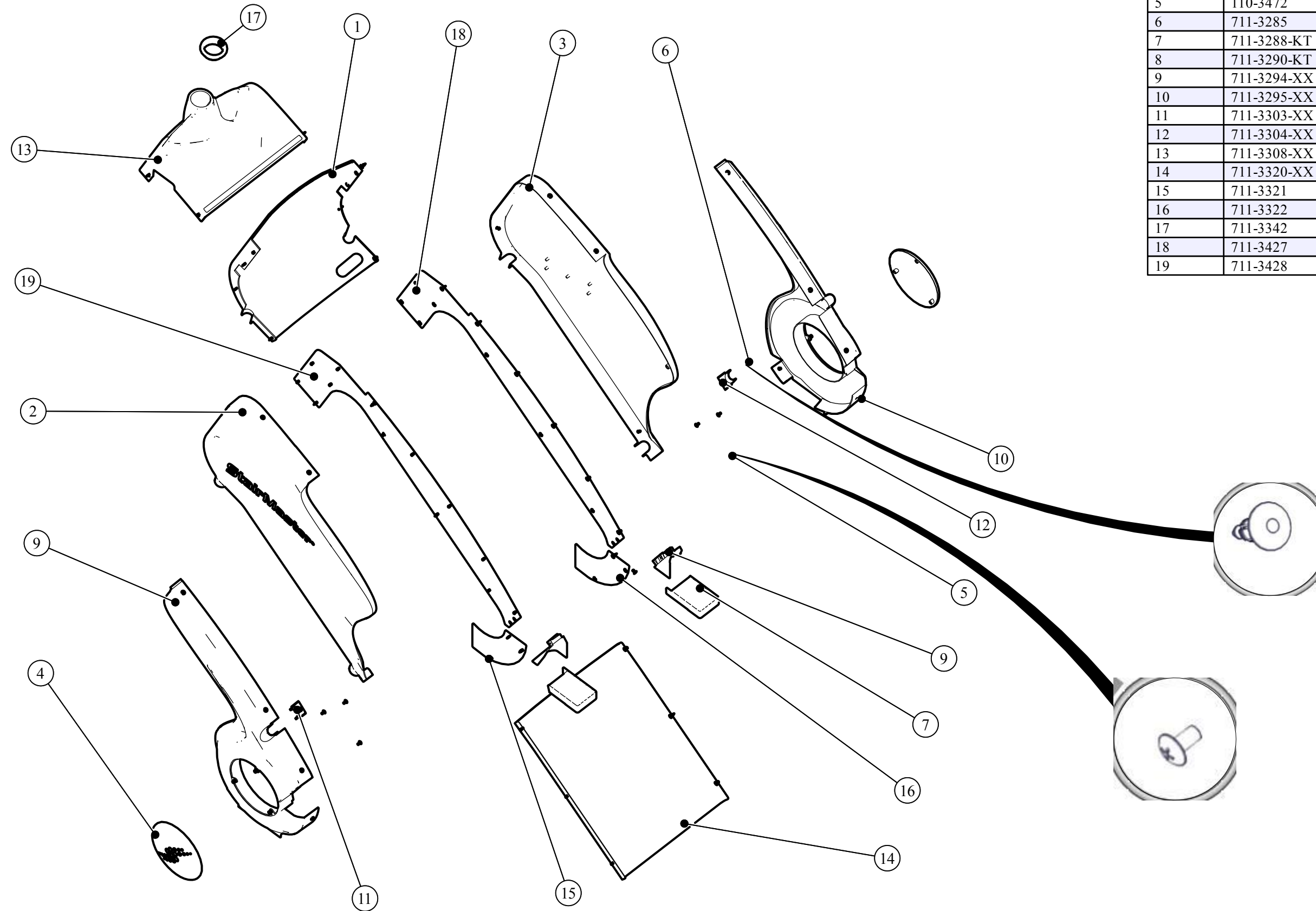
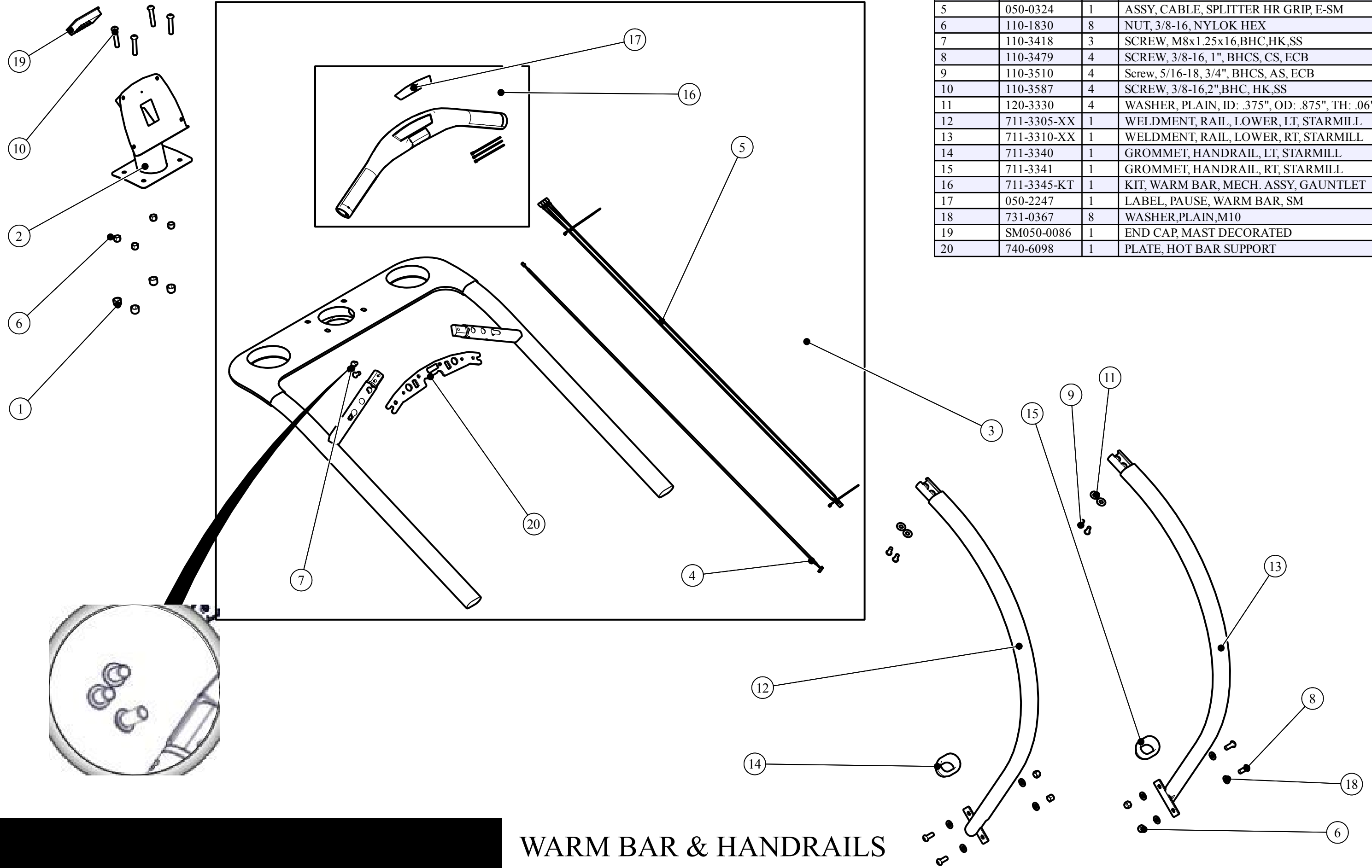


TABLE OF CONTENTS





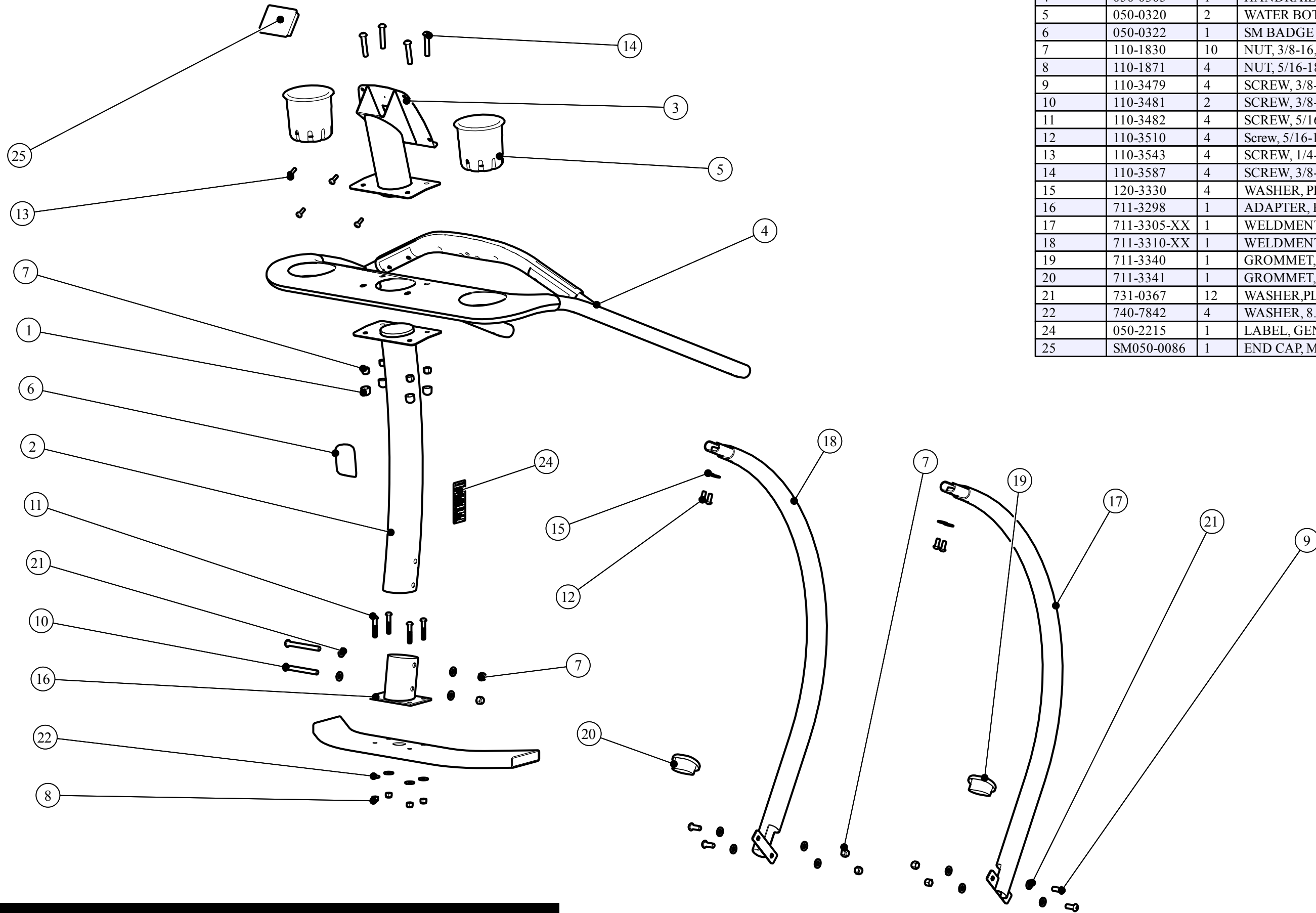
ITEM NO.	PART NO.	QTY	DESCRIPTION
1	050-0295-XX	1	FRONT SHIELD, STAIRMASTER, MOLD-IN COLOR
2	050-0296-XX	1	BODY PANEL, L, MOLD-IN COLOR
3	050-0297-XX	1	BODY PANEL, R, MOLD-IN COLOR
4	050-0300-XX	2	WHEEL, MOLD-IN COLOR
5	110-3472	6	SCREW, 1/4-20, 1/2", TPHS, CS, ECB
6	711-3285	70	RIVET, FLUSH, LOCK, PUSH, Ø6.5mm
7	711-3288-KT	1	KIT, FOOTPAD LF & RT
8	711-3290-KT	1	KIT, STOP, FOOT, LT & RT
9	711-3294-XX	1	SHROUD, LOWER, LT, STARMILL
10	711-3295-XX	1	SHROUD, LOWER, RT, STARMILL
11	711-3303-XX	1	COVER, HAND RAIL, LT, SM
12	711-3304-XX	1	COVER, HAND RAIL, RT, SM
13	711-3308-XX	1	SHROUD, COVER, UPPER, STARMILL
14	711-3320-XX	1	SHROUD, PAN, BELLY, STARMILL
15	711-3321	1	SHROUD, INNER, LWR, LT, STARMILL
16	711-3322	1	SHROUD, INNER, LWR, RT, STARMILL
17	711-3342	1	GROMMET, NECK, STARMILL
18	711-3427	1	SHROUD, INNER, LT, LONG, SM
19	711-3428	1	SHROUD, INNER, RT, LONG, SM



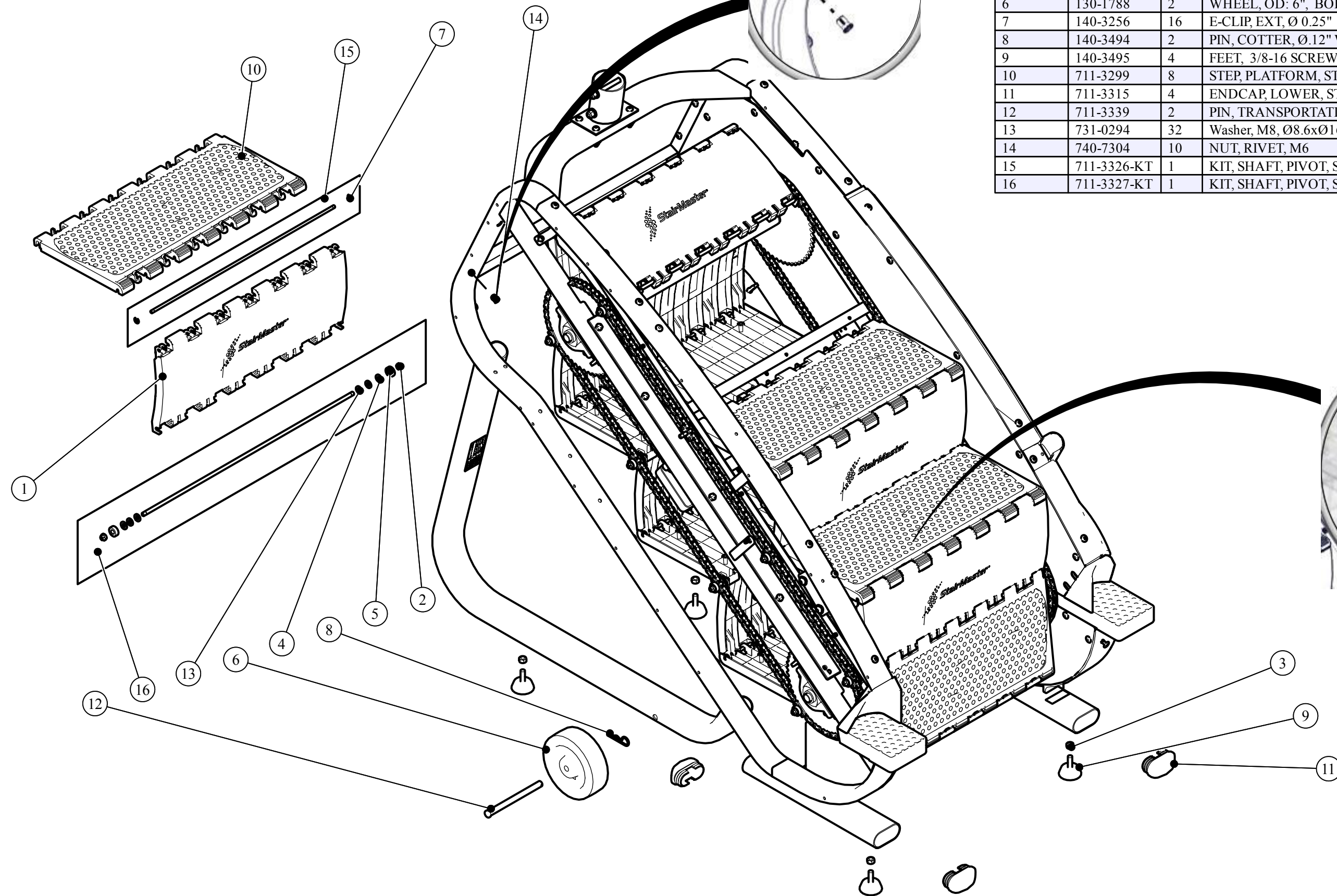
ITEM NO.	PART NO.	QTY	DESCRIPTION
1	050-0072	4	NUT CAP
2	050-0304-XX	1	CONSOLE SUPPORT, UPPER WELDMENT
3	050-0305	1	HANDRAIL, DIPPING ASSY
4	050-0323	1	SWITCH EXTENSION CORD
5	050-0324	1	ASSY, CABLE, SPLITTER HR GRIP, E-SM
6	110-1830	8	NUT, 3/8-16, NYLOK HEX
7	110-3418	3	SCREW, M8x1.25x16,BHC,HK,SS
8	110-3479	4	SCREW, 3/8-16, 1", BHCS, CS, ECB
9	110-3510	4	Screw, 5/16-18, 3/4", BHCS, AS, ECB
10	110-3587	4	SCREW, 3/8-16,2",BHC, HK,SS
11	120-3330	4	WASHER, PLAIN, ID: .375", OD: .875", TH: .06", CS, ECB
12	711-3305-XX	1	WELDMENT, RAIL, LOWER, LT, STARMILL
13	711-3310-XX	1	WELDMENT, RAIL, LOWER, RT, STARMILL
14	711-3340	1	GROMMET, HANDRAIL, LT, STARMILL
15	711-3341	1	GROMMET, HANDRAIL, RT, STARMILL
16	711-3345-KT	1	KIT, WARM BAR, MECH. ASSY, GAUNTLET
17	050-2247	1	LABEL, PAUSE, WARM BAR, SM
18	731-0367	8	WASHER,PLAIN,M10
19	SM050-0086	1	END CAP, MAST DECORATED
20	740-6098	1	PLATE, HOT BAR SUPPORT

WARM BAR & HANDRAILS

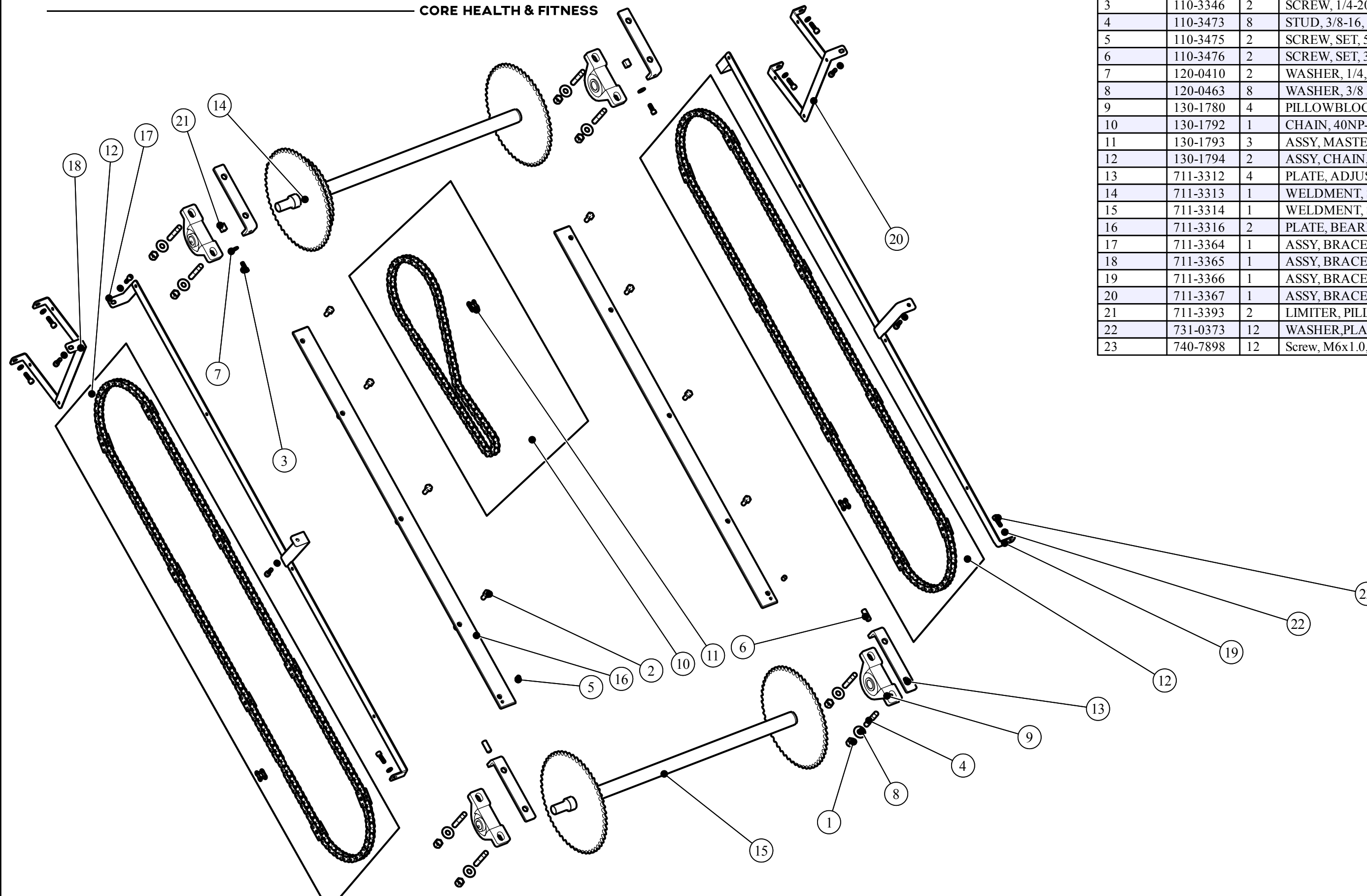
CORE HEALTH & FITNESS



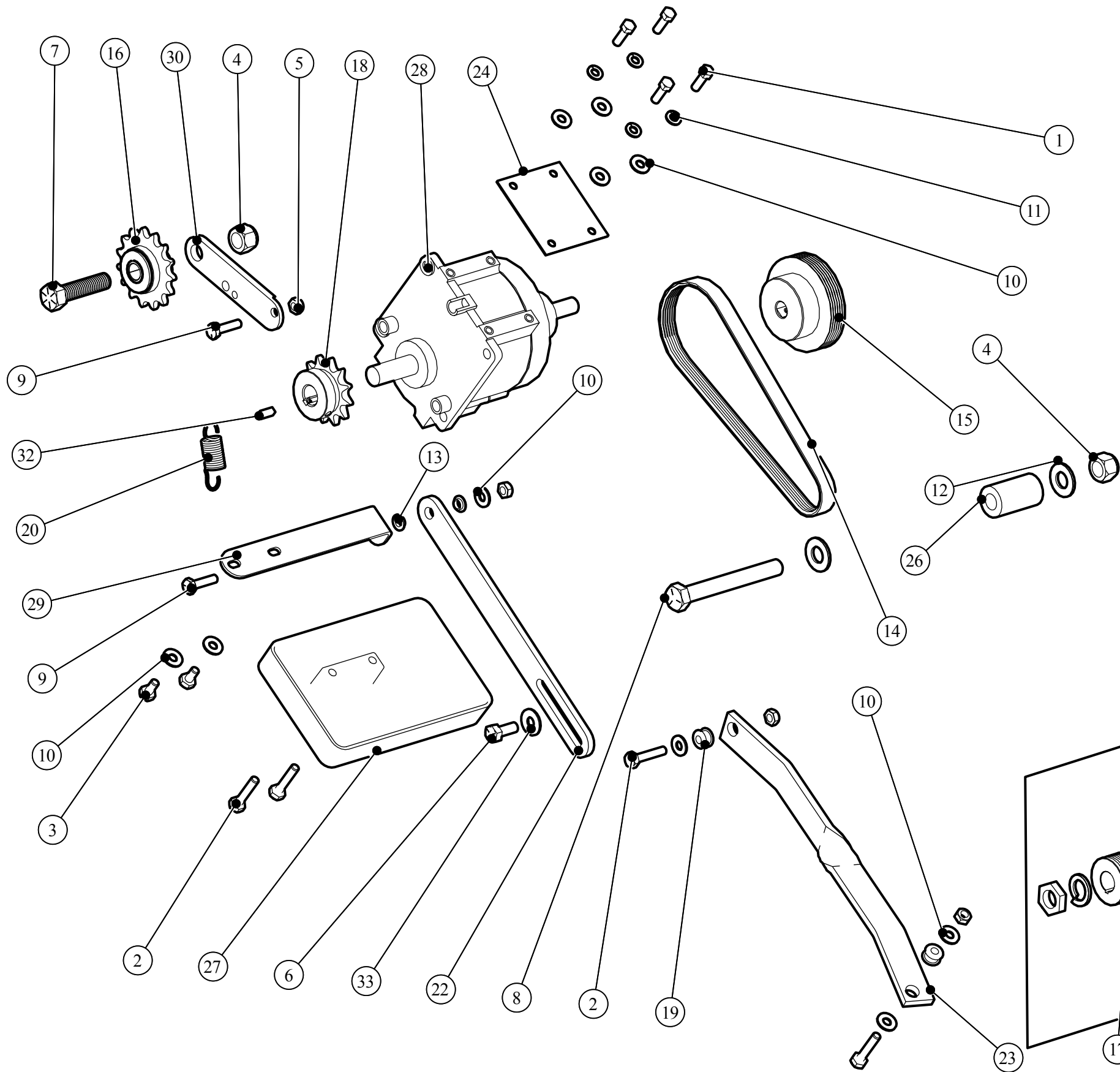
ITEM NO.	PART NO.	QTY	DESCRIPTION
1	050-0072	4	NUT CAP
2	050-0303-XX	1	LOWER MAST WELDMENT
3	050-0304-XX	1	CONSOLE SUPPORT, UPPER WELDMENT
4	050-0305	1	HANDRAIL, DIPPING ASSY
5	050-0320	2	WATER BOTTLE HOLDER, GAUNTLET
6	050-0322	1	SM BADGE
7	110-1830	10	NUT, 3/8-16, NYLOK HEX
8	110-1871	4	NUT, 5/16-18, CS, ECB, NY, Gr 8.8
9	110-3479	4	SCREW, 3/8-16, 1", BHCS, CS, ECB
10	110-3481	2	SCREW, 3/8-16, 3 5/8", BHCS, AS, ZP
11	110-3482	4	SCREW, 5/16-18, 1 3/4", BHCS, AS, ZP
12	110-3510	4	Screw, 5/16-18, 3/4", BHCS, AS, ECB
13	110-3543	4	SCREW, 1/4-20 X .75, PAN HEAD, W/ WASHER
14	110-3587	4	SCREW, 3/8-16, 2", BHC, HK, SS
15	120-3330	4	WASHER, PLAIN, ID: .375", OD: .875", TH: .06", CS, ECB
16	711-3298	1	ADAPTER, FRAME, NECK, STARMILL
17	711-3305-XX	1	WELDMENT, RAIL, LOWER, LT, STARMILL
18	711-3310-XX	1	WELDMENT, RAIL, LOWER, RT, STARMILL
19	711-3340	1	GROMMET, HANDRAIL, LT, STARMILL
20	711-3341	1	GROMMET, HANDRAIL, RT, STARMILL
21	731-0367	12	WASHER, PLAIN, M10
22	740-7842	4	WASHER, 8.4mmID X 21mm OD X 1.6mm THK
24	050-2215	1	LABEL, GENERAL WARNING, E-BTS
25	SM050-0086	1	END CAP, MAST DECORATED



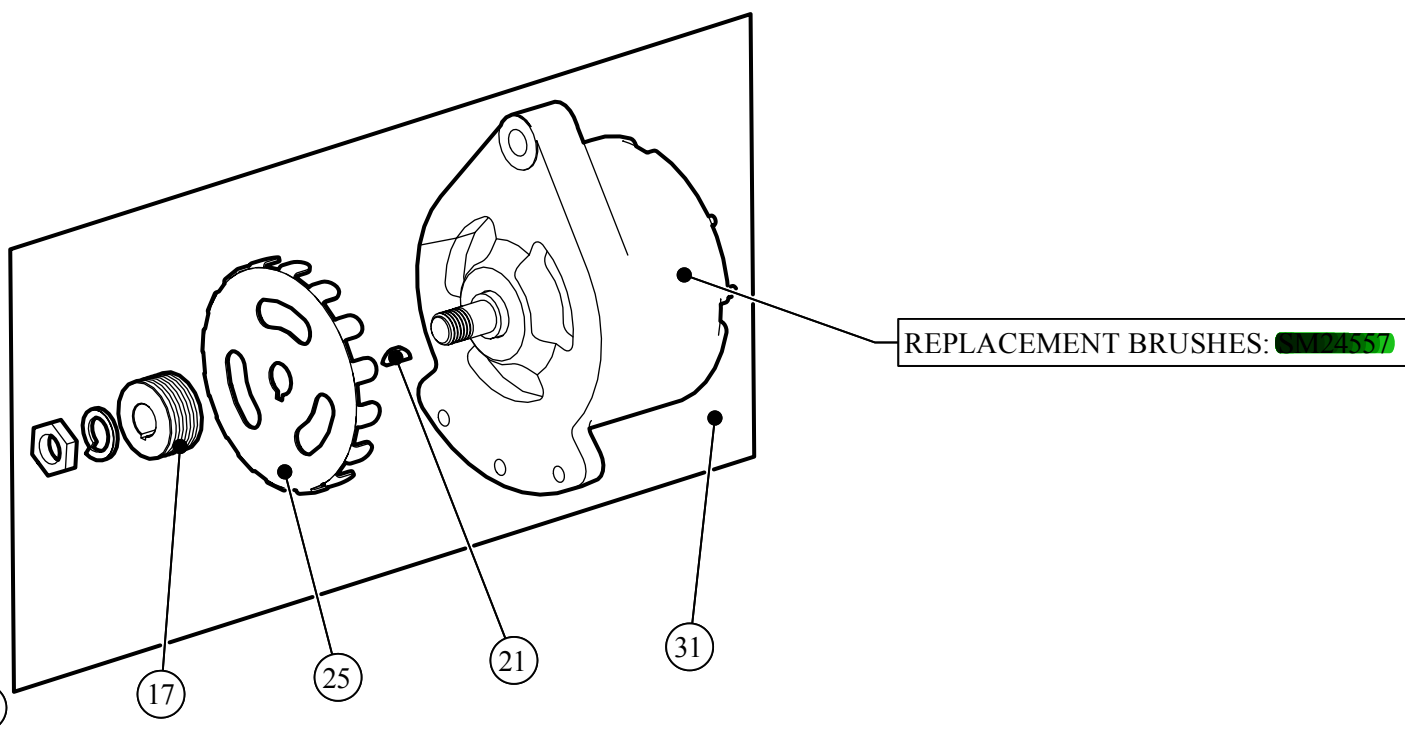
ITEM NO.	PART NO.	QTY	DESCRIPTION
1	050-0032	8	STEP, RISER 9"
2	110-3474	16	NUT, 5/16-24, LOCK, ZP
3	110-3480	4	NUT, 3/8-16, SHN, CS, ZP, GR 5
4	120-0490	16	WASHER, 5/16 SAE FLAT, 11/16" OD X 11/32" ID, .06 THICK
5	130-1660	16	BEARING, 8 MM ID X 22 MM OD X 7 MM WIDTH
6	130-1788	2	WHEEL, OD: 6", BORE: 5", PP, NF
7	140-3256	16	E-CLIP, EXT, Ø 0.25"
8	140-3494	2	PIN, COTTER, Ø.12" WIRE, 1/2"-5/8" SHAFT, CS, ZP
9	140-3495	4	FEET, 3/8-16 SCREW, 1.93" BASE
10	711-3299	8	STEP, PLATFORM, STARMILL
11	711-3315	4	ENDCAP, LOWER, STARMILL
12	711-3339	2	PIN, TRANSPORTATION, SM
13	731-0294	32	Washer, M8, Ø8.6xØ16.6x2.2mm, NY
14	740-7304	10	NUT, RIVET, M6
15	711-3326-KT	1	KIT, SHAFT, PIVOT, STAIRMILL, W/ HARDWARE
16	711-3327-KT	1	KIT, SHAFT, PIVOT, SUPPORT, PEDAL, STAIRMILL, W/ HARDWARE



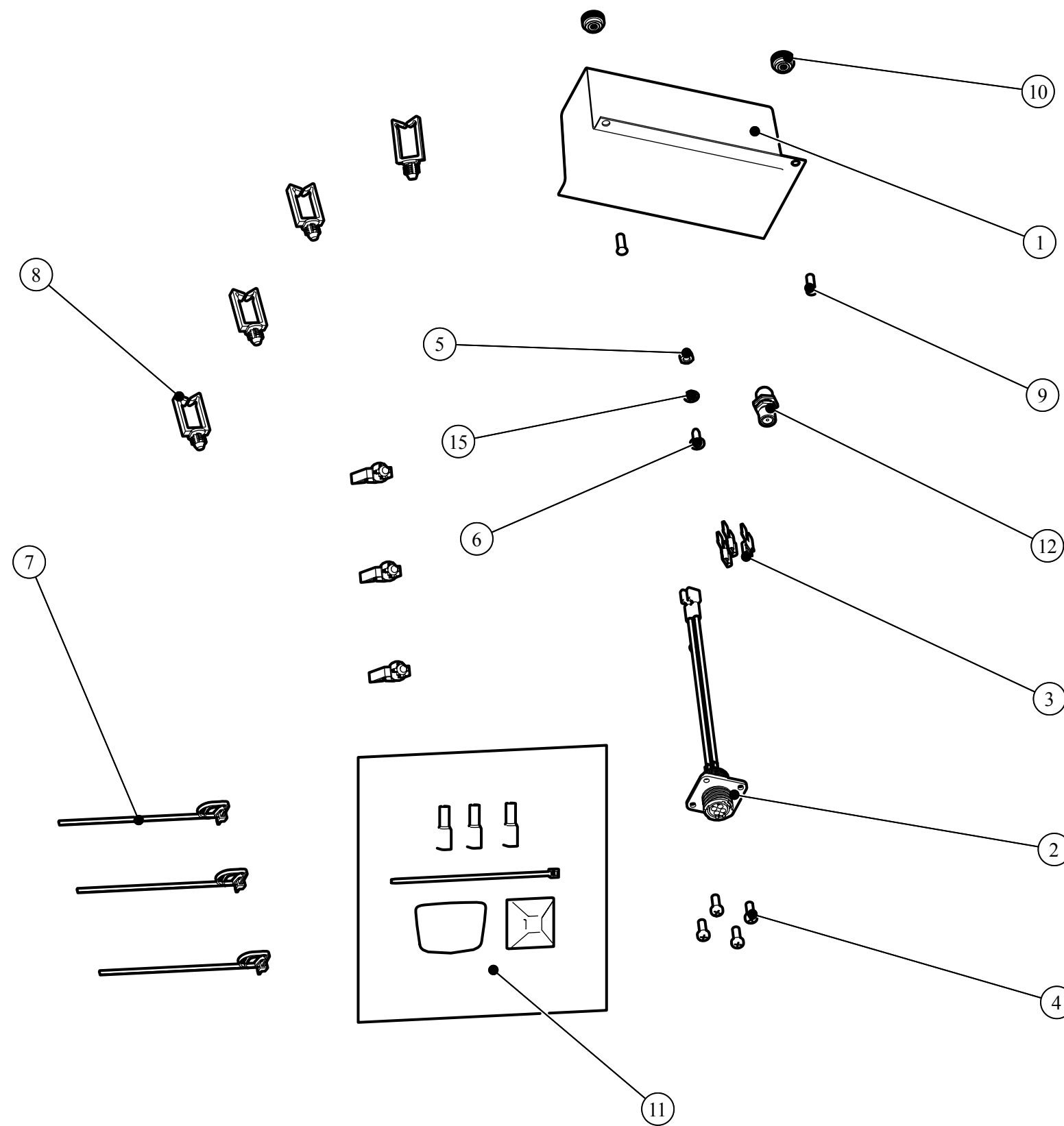
ITEM NO.	PART NO.	QTY	DESCRIPTION
1	110-1830	8	NUT, 3/8-16, NYLOK HEX
2	110-3140	8	SCREW, 5/16-18, 3/4", HHCS, CS, ZP, GR 5
3	110-3346	2	SCREW, 1/4-20, 5/8", SHCS, AS, ECB
4	110-3473	8	STUD, 3/8-16, 2.25", PRTL THRD, CS, ZP, GR 5
5	110-3475	2	SCREW, SET, 5/16-24, 3/8", SHSS, AS, ECB
6	110-3476	2	SCREW, SET, 3/8-16, 1", SHSS, AS, ECB
7	120-0410	2	WASHER, 1/4, SAE FLAT
8	120-0463	8	WASHER, 3/8 X 1 OD
9	130-1780	4	PILLOWBLOCK, 3/4", BEARING
10	130-1792	1	CHAIN, 40NP-83 W/ML, INPUT DRIVE SM
11	130-1793	3	ASSY, MASTERLINK, #40 CHAIN
12	130-1794	2	ASSY, CHAIN, DRIVE, #40, W MSTRLINK, E-SM
13	711-3312	4	PLATE, ADJUSTER, PILLOW BLOCK, STARMILL
14	711-3313	1	WELDMENT, SPROCKET, UPPER, STARMILL
15	711-3314	1	WELDMENT, SPROCKET, LOWER, STARMILL
16	711-3316	2	PLATE, BEARING, WEIGHT, STARMILL
17	711-3364	1	ASSY, BRACE, UPPER, KICK PANEL, LT, SM
18	711-3365	1	ASSY, BRACE, LOWER, KICK PANEL, LT, SM
19	711-3366	1	ASSY, BRACE, UPPER, KICK PANEL, RT, SM
20	711-3367	1	ASSY, BRACE, LOWER, KICK PANEL, RT, SM
21	711-3393	2	LIMITER, PILLOW BLOCK, SM
22	731-0373	12	WASHER, PLAIN, M6
23	740-7898	12	Screw, M6x1.0, 20mm, SHC, HK, CS, ECB, Cl. 10.9



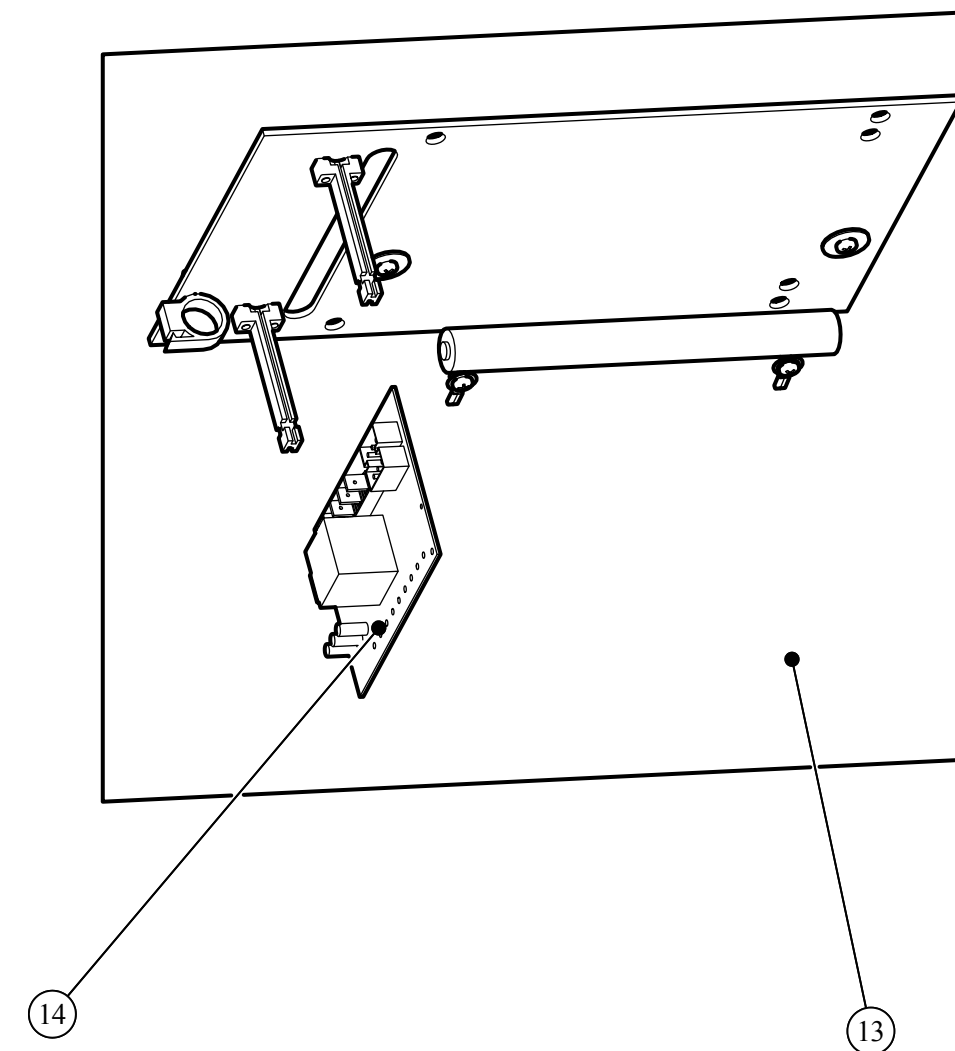
ITEM NO.	PART NO.	QTY	DESCRIPTION
1	110-0570	4	SCREW, 1/4-20x3/4, HHC, HE, CS, ZP
2	110-0575	4	Screw, 1/4-20, 1.25", HHC, HE, CS, ZP
3	110-0580	2	SCREW, 1/4-20x 1/2" HHCS
4	110-1833	2	NUT, 1/2-13, NYLOK HEX, CS, ZP, GR 8
5	110-3098	4	NUT, 1/4-20, HEX, NYLOC
6	110-3140	1	SCREW, 5/16-18, 3/4", HHCS, CS, ZP, GR 5
7	110-3340	1	SCREW, 1/2-13, 2", HHCS, CS, ZP, GR 8
8	110-3477	1	SCREW, 1/2-13, 4", HHCS, CS, ZP, GR 5
9	110-3478	2	SCREW, 1/4-20, 1", HHCS, CS, ZP, GR 5
10	120-0410	10	WASHER, 1/4, SAE FLAT
11	120-0420	4	WASHER, 1/4, SPLIT LOCK
12	120-3030	2	WASHER, 1/2 X 1.0625 OD X .093
13	120-3327	2	WASHER, SHOULDER, ID: .257", OD: .343", TH: .139", PA 6
14	130-1784	1	BELT, 200J6, POLY-V
15	130-1785-KT	1	KIT, PULLEY, ID: .5", OD: 3", J6, Q235A, ZP, W/ SET SCREW
16	130-1787	1	SPROCKET, IDLER, Ø.5"ID, 15T, #40
17	130-1790	1	PULLEY, Ø.627"ID, J6, Ø1.500"OD
18	130-1828	1	ASSY, SPROCKET, Ø5/8"ID, 12T, #40, W/ SET SCREWS
19	140-3490	2	GROMMET, OD: .44", ID: .25", TH: .25", PU
20	140-3491	1	SPRING, EXT, OD: 15.85mm, SD: 1.75mm, RNG: 25.5-45.5mm
21	260-0952_004	1	Key, Woodruff, #5, 0.125"W X 0.625", US #405
22	711-3317	1	BRACKET, TENSION, ALT, STARMILL
23	711-3328	1	BRACKET, SUPPORT, TRANS, STARMILL
24	711-3329	1	ISOLATOR, GEARBOX, RUBBER, STARMILL
25	711-3330	1	DISK, COUNTER, 16T, RPM, Ø.627"ID
26	711-3332	1	SPACER, PLASTIC, Ø.515" X Ø1.0" X 1.7"
27	711-3333	1	CATCH, LUBE, GEARBOX, BISON
28	711-3334	1	GEARBOX, 19:1, BISON
29	711-3335	1	BRACKET, GEARBOX, PIVOT, ALT, STARMILL
30	711-3336	1	ARM, TENSION, CHAIN, E-SM
31	711-3361	1	ASSY, W/ COUNTER, ALTERNATOR, 1.5" PULLEY
32	711-3426	1	KEY, 0.190 X 0.190 X .500
33	740-7842	1	WASHER, 8.4mmID X 21mm OD X 1.6mm THK



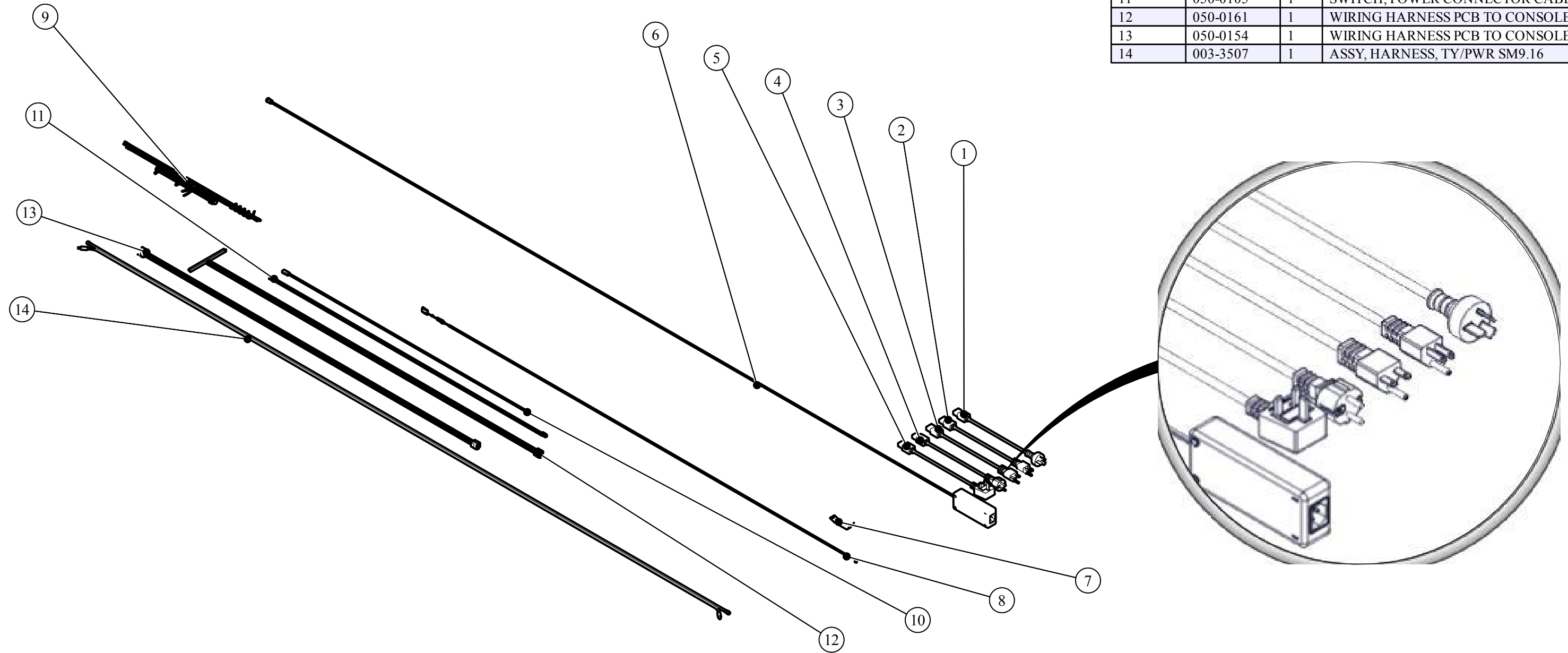
REPLACEMENT BRUSHES: **110-04557**



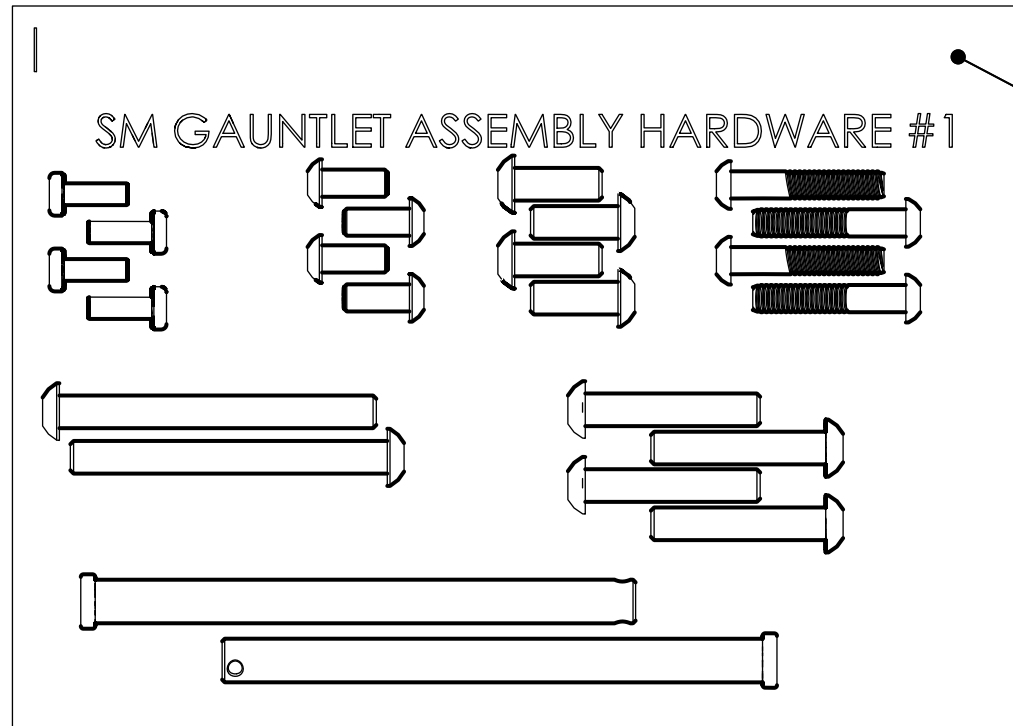
ITEM NO.	PART NO.	QTY	DESCRIPTION
1	020-7397	1	COVER, POWER TERMINAL, SM5
2	050-0039	1	ASSY, MAIN POWER
3	050-0252	3	TERMINAL, QUICK-DISCONNECT, SPLITTER
4	050-0254	4	SCREW, PHS, M4 X 0.7 X 10
5	110-3246	1	NUT, NYLON-INSERT, M4 X .7
6	110-3404	1	SCREW, M4x0.7x10L,PHT,PH,CS,BO
7	140-0210	3	TIE STRAP, 3.5"
8	140-3489	7	SADDLE, WIRE, BARBED, PUSH
9	140-3559	2	STUD, PRESS-IN, THREADED, M,12.7, CS, ZP
10	140-3560	2	THUMB NUT, M4x0.7, 6.7
11	711-3502	1	KIT, BYPASS ON/OFF SWITCH, GAUNTLET
12	17787	1	VIDEO CONNECTOR
13	22933	1	ASSY, RELAY, RESISTOR, SM916
14	15545	1	ASSY,PCB,RELAY,STEPMIL
15	120-3259	1	WASHER, M4, TEETH, 0.45THK



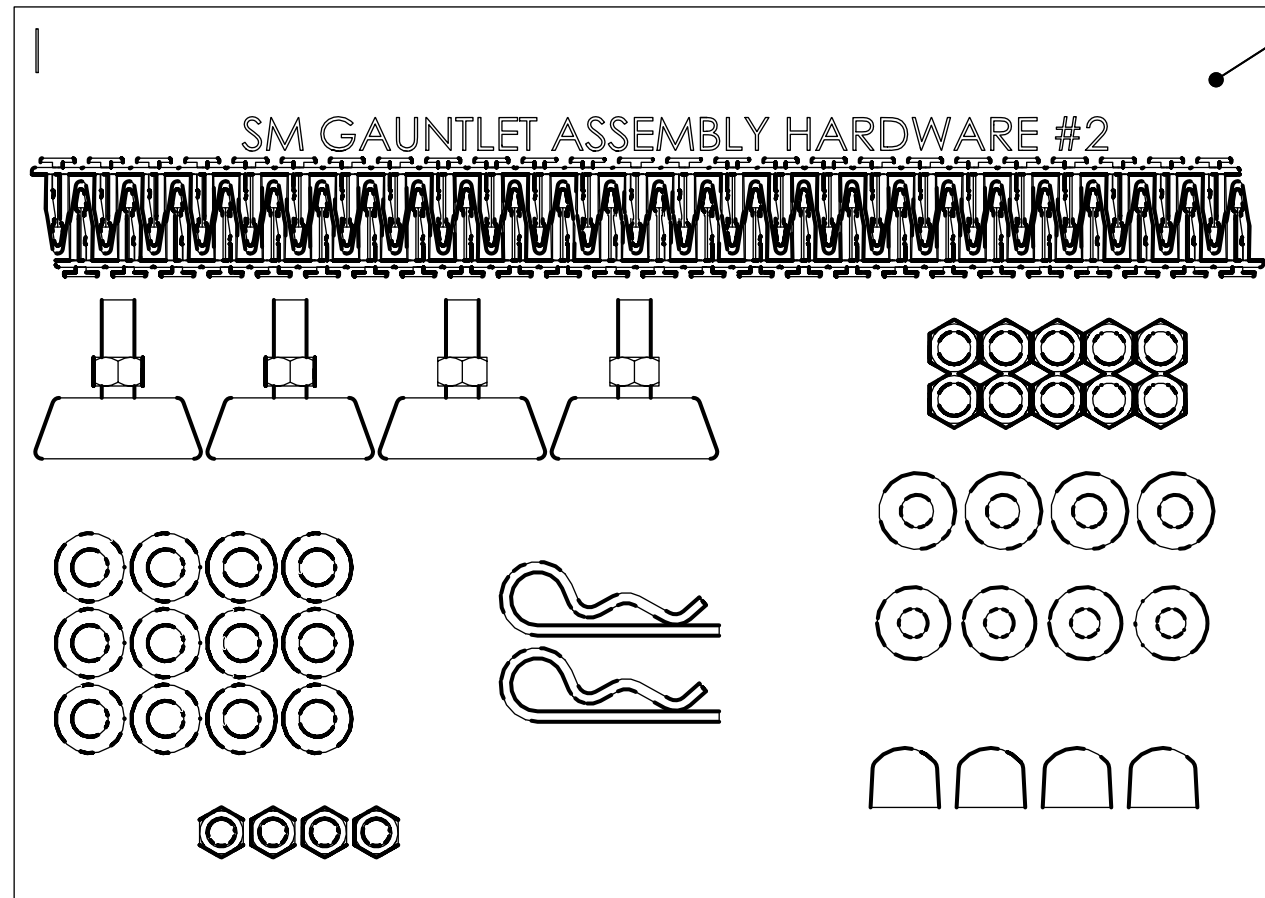
ITEM NO.	PART NO.	QTY	DESCRIPTION
1	050-0231	1	ADAPTER, CORD LINE, AS/NZS 3112
2	050-0232	1	ADAPTER, CORD LINE, NEMA 5-15
3	050-0233	1	ADAPTER, CORD LINE, NEMA 6-15
4	050-0234	1	ADAPTER, CORD LINE, CEE 7/7
5	050-0235	1	ADAPTER, CORD LINE, BS 1363
6	050-0230	1	XFORMER, POWER SUPPLY, SM5/SC5
7	23853	1	TOOL, REMOVAL COVER, FASTENERS
8	711-3350-KT	1	KIT, CABLE, STOP SWITCH, STARMILL
9	050-0255	1	CABLE ASSY
10	050-0201	1	ASSY, SM5 MAIN POWER CLIP TO CONSOLE
11	050-0105	1	SWITCH, POWER CONNECTOR CABLE
12	050-0161	1	WIRING HARNESS PCB TO CONSOLE, UPPER
13	050-0154	1	WIRING HARNESS PCB TO CONSOLE, LOWER
14	003-3507	1	ASSY, HARNESS, TY/PWR SM9.16



ITEM NO.	PART NO.	QTY	DESCRIPTION
1	050-0263	1	SM GAUNTLET ASSEMBLY HARDWARE #1
2	050-0106	1	SM GAUNTLET ASSEMBLY HARDWARE #2



1



2